

# MM.9.R16.S- Mounting instructions

## Renault Master

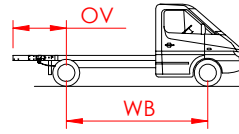
RWD | Single/Double Wheel | **WB=ALL** | **OV=ALL**

## Opel Movano X62

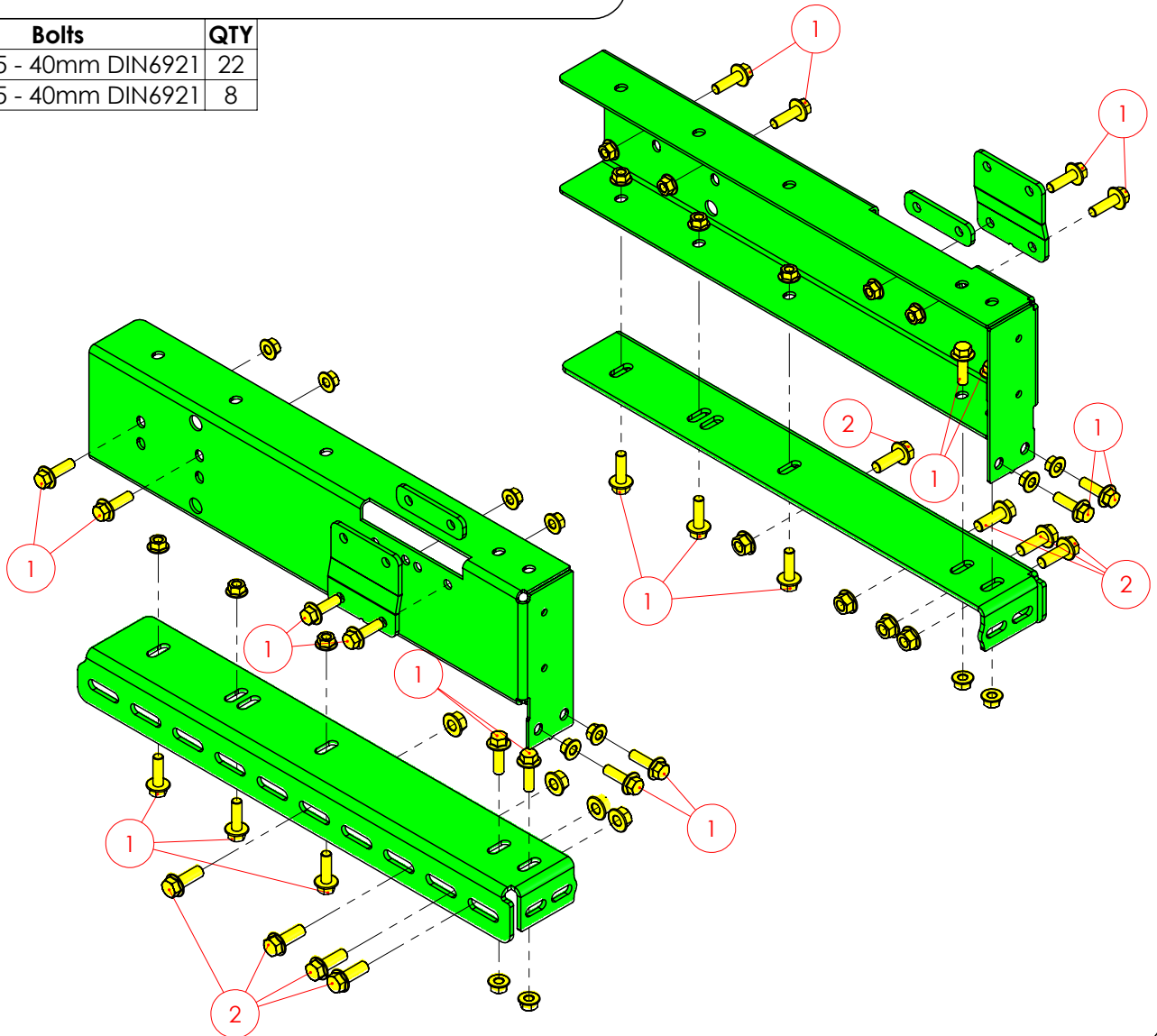
RWD | Single/Double Wheel | **WB=ALL** | **OV=ALL**

## Nissan NV400

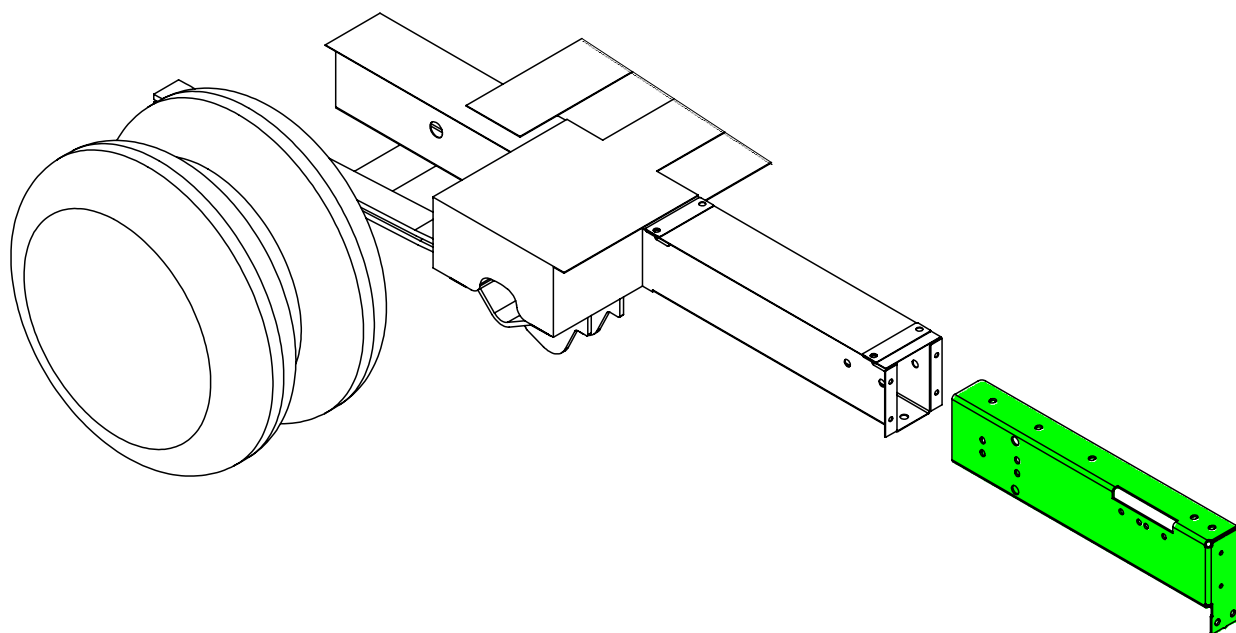
RWD | Single/Double Wheel | **WB=ALL** | **OV=ALL**



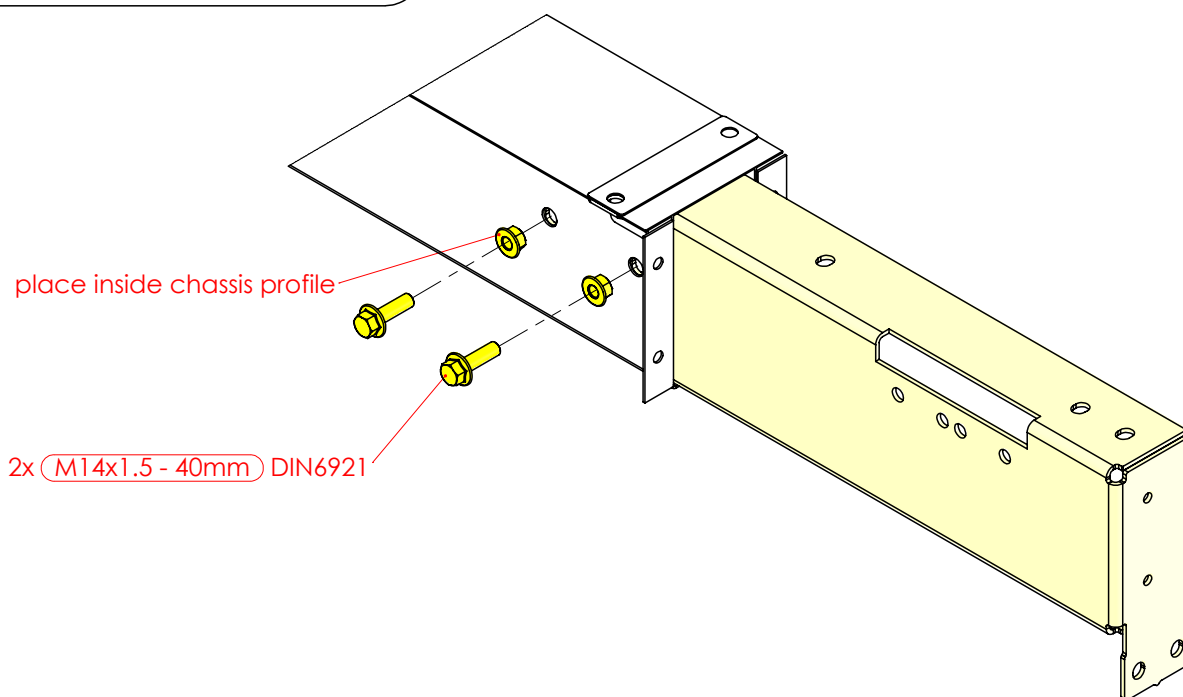
Ref	Bolts	QTY
1	M12x1.5 - 40mm DIN6921	22
2	M14x1.5 - 40mm DIN6921	8



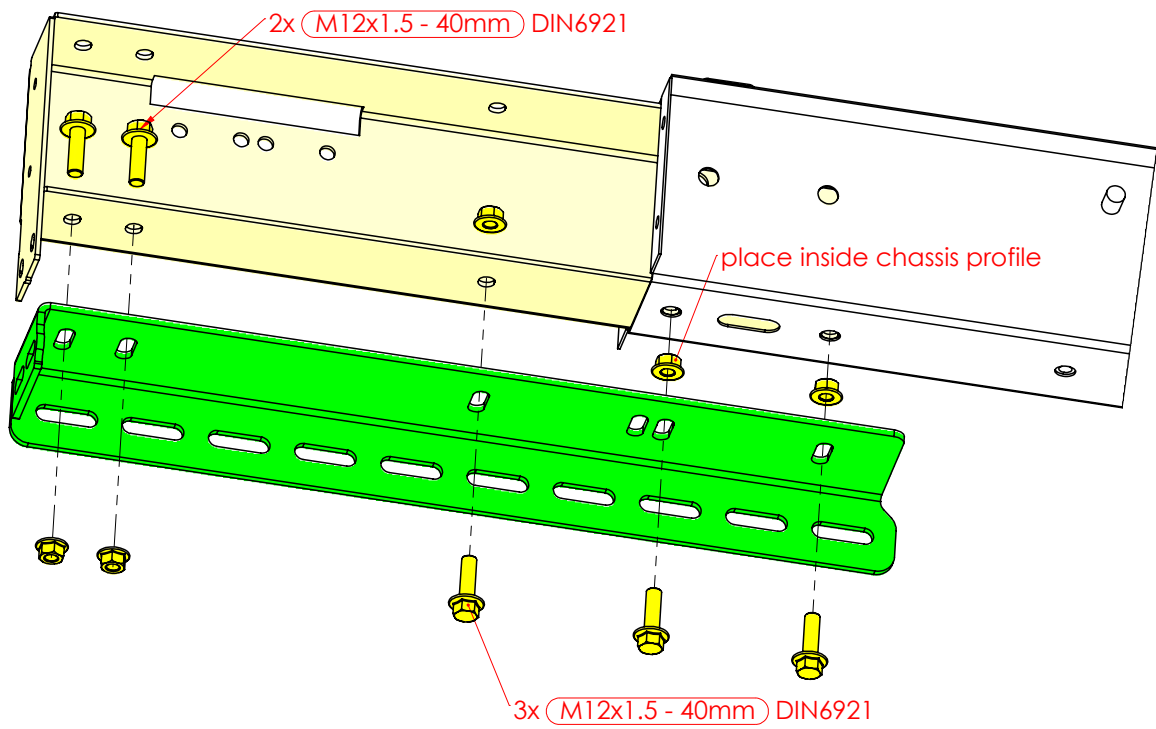
## STEP 1



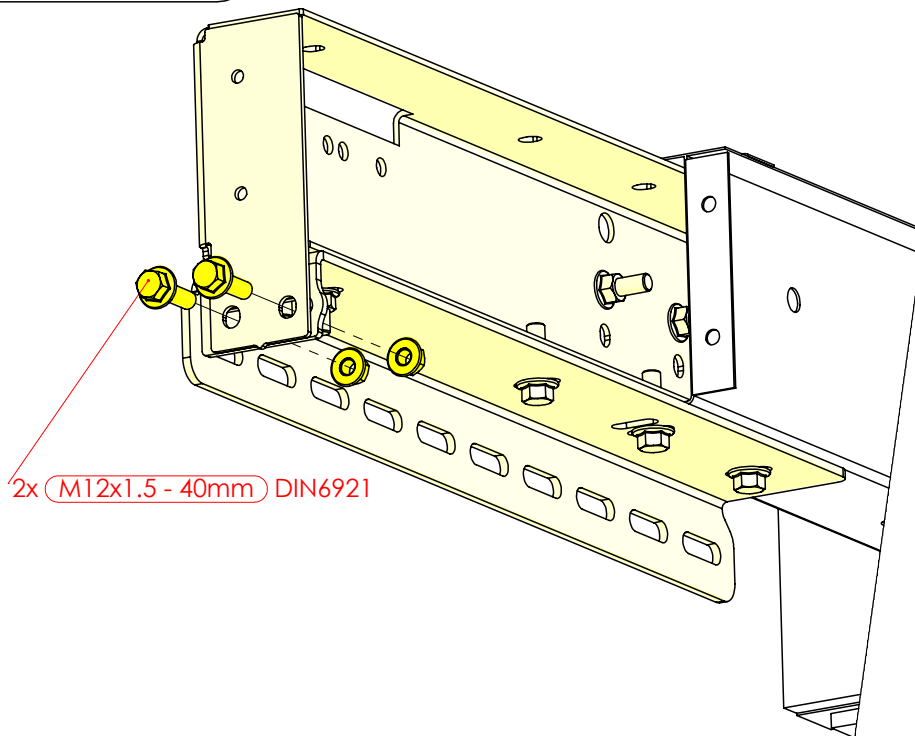
## STEP 2



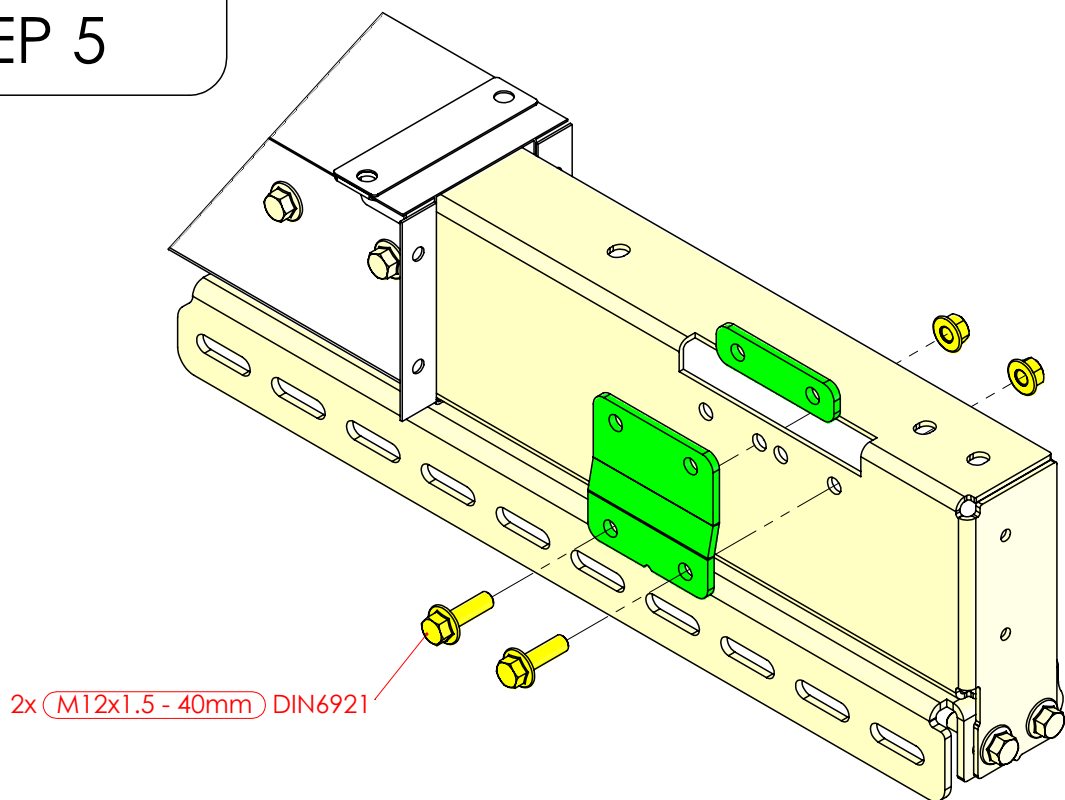
### STEP 3



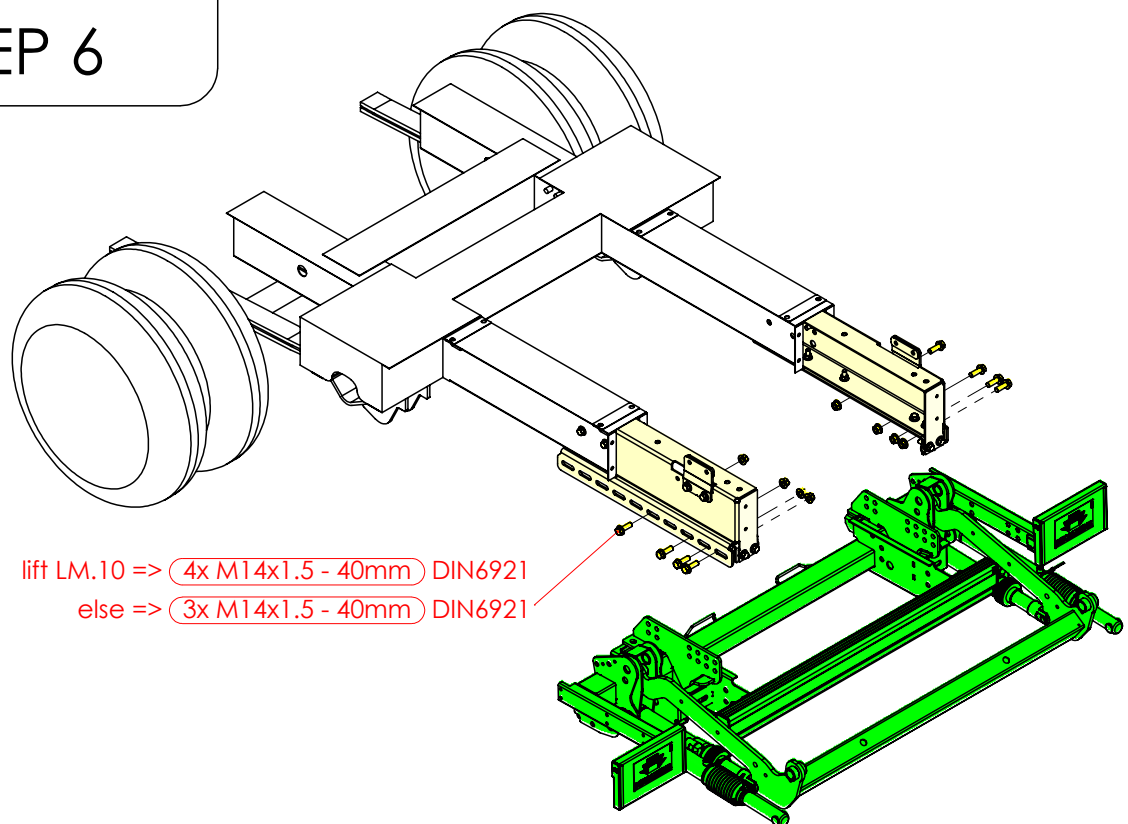
### STEP 4



## STEP 5



## STEP 6



# Overview

