

MM.9.R15.S- Mounting instructions

Renault Master

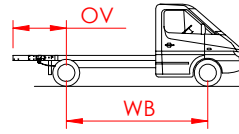
RWD | Single/Double Wheel | **WB=ALL** | **OV=ALL**

Opel Movano X62

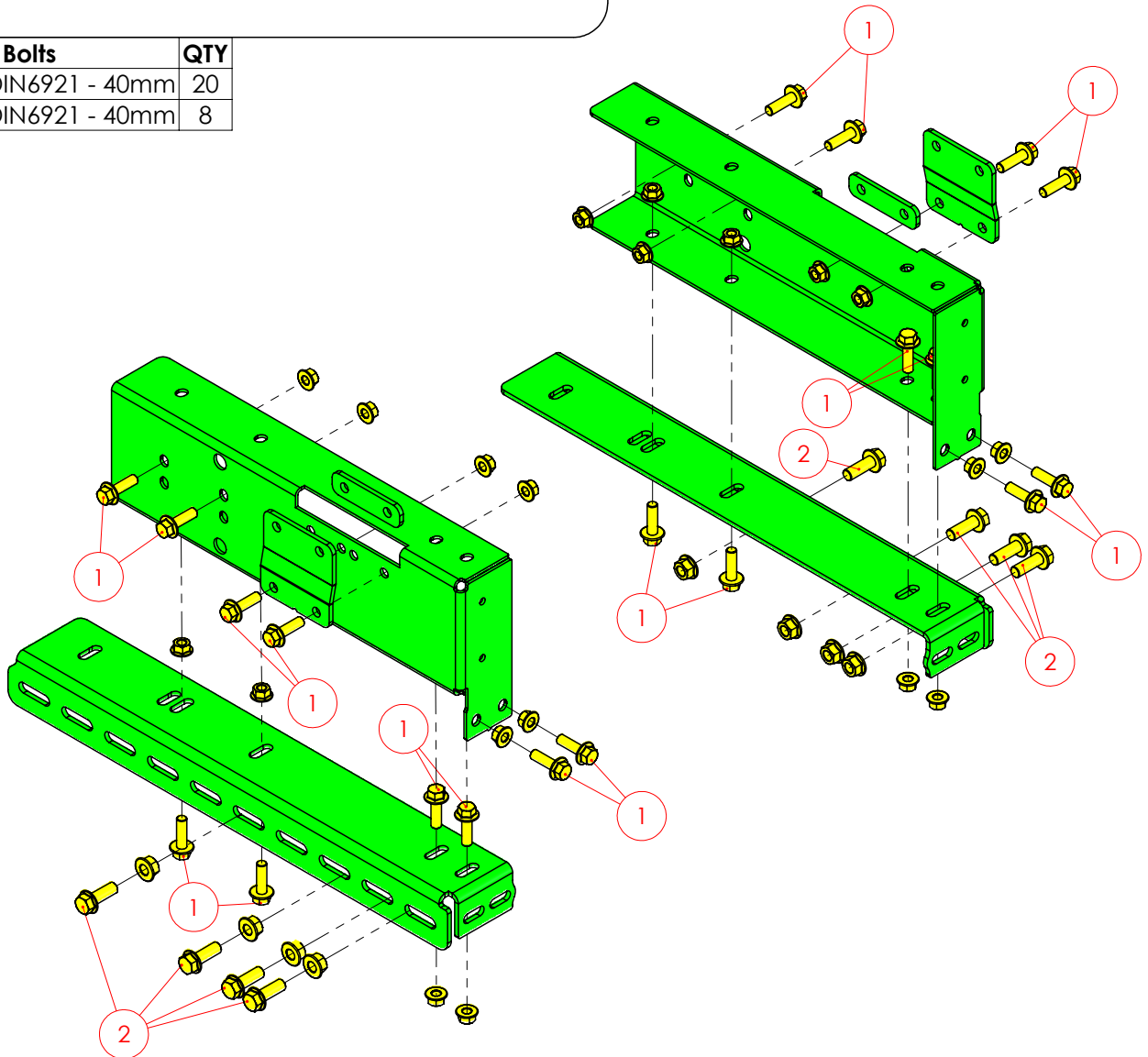
RWD | Single/Double Wheel | **WB=ALL** | **OV=ALL**

Nissan NV400

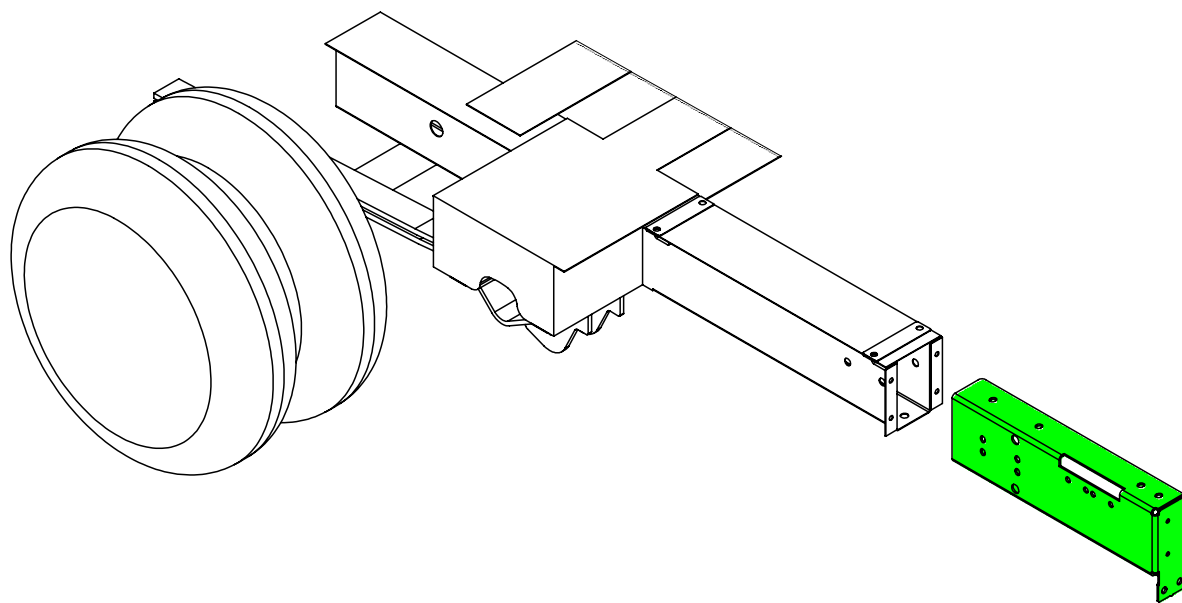
RWD | Single/Double Wheel | **WB=ALL** | **OV=ALL**



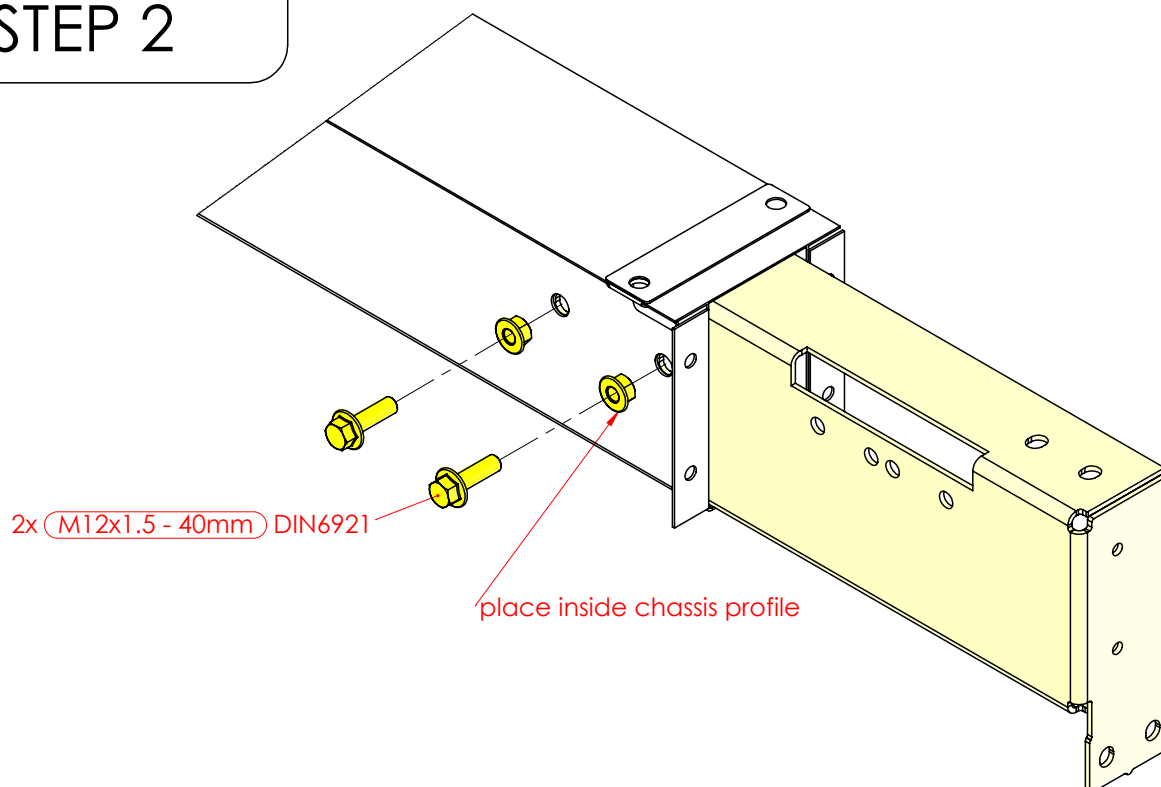
Ref	Bolts	QTY
1	M12x1.5 DIN6921 - 40mm	20
2	M14x1.5 DIN6921 - 40mm	8



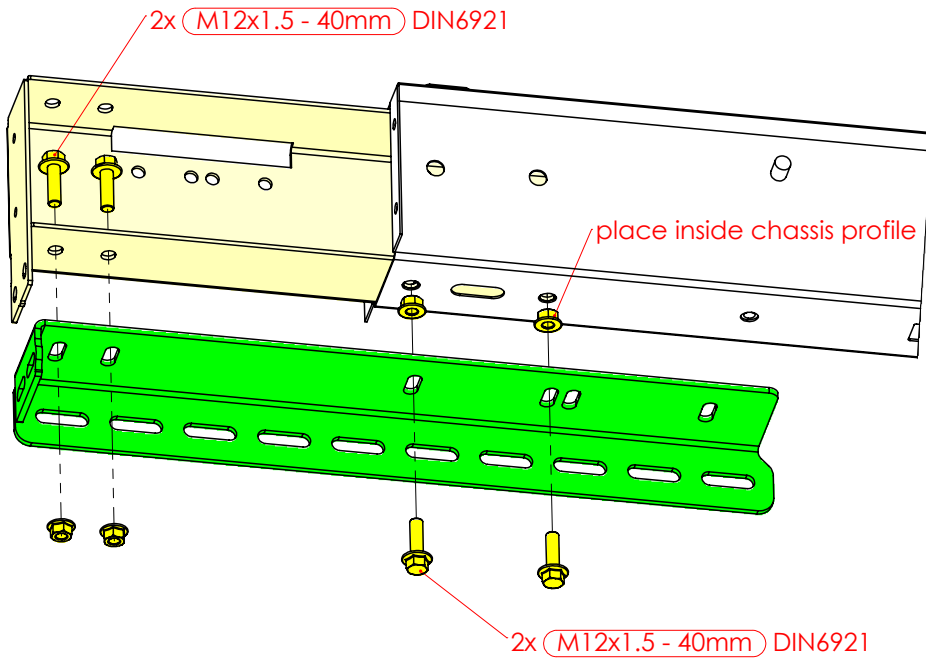
STEP 1



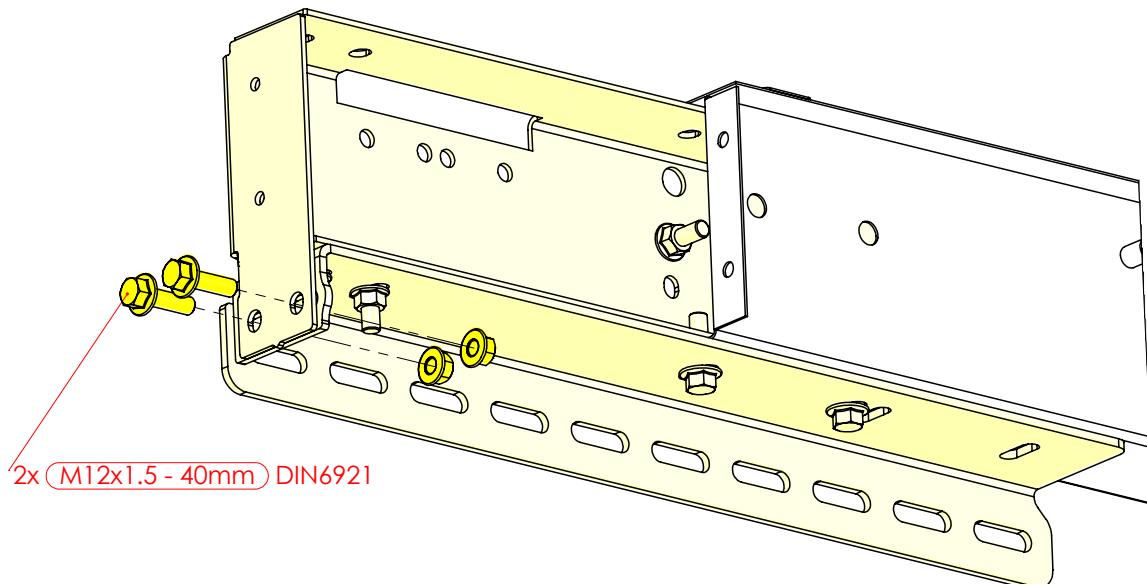
STEP 2



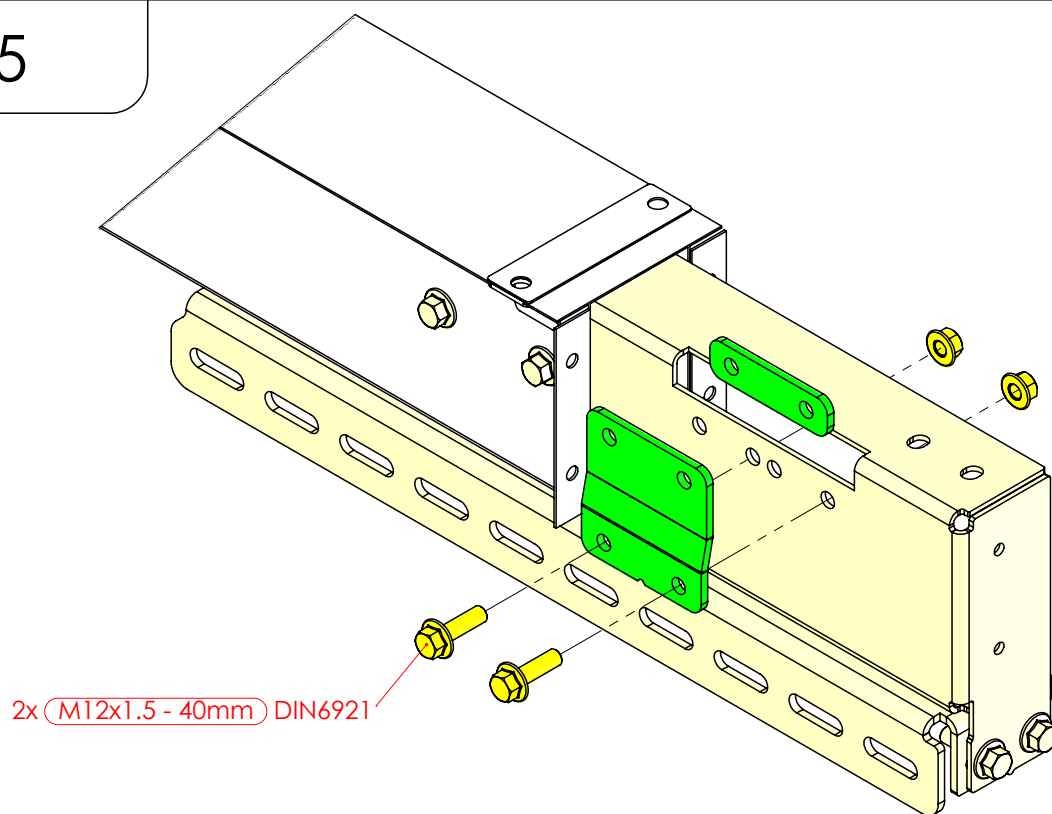
STEP 3



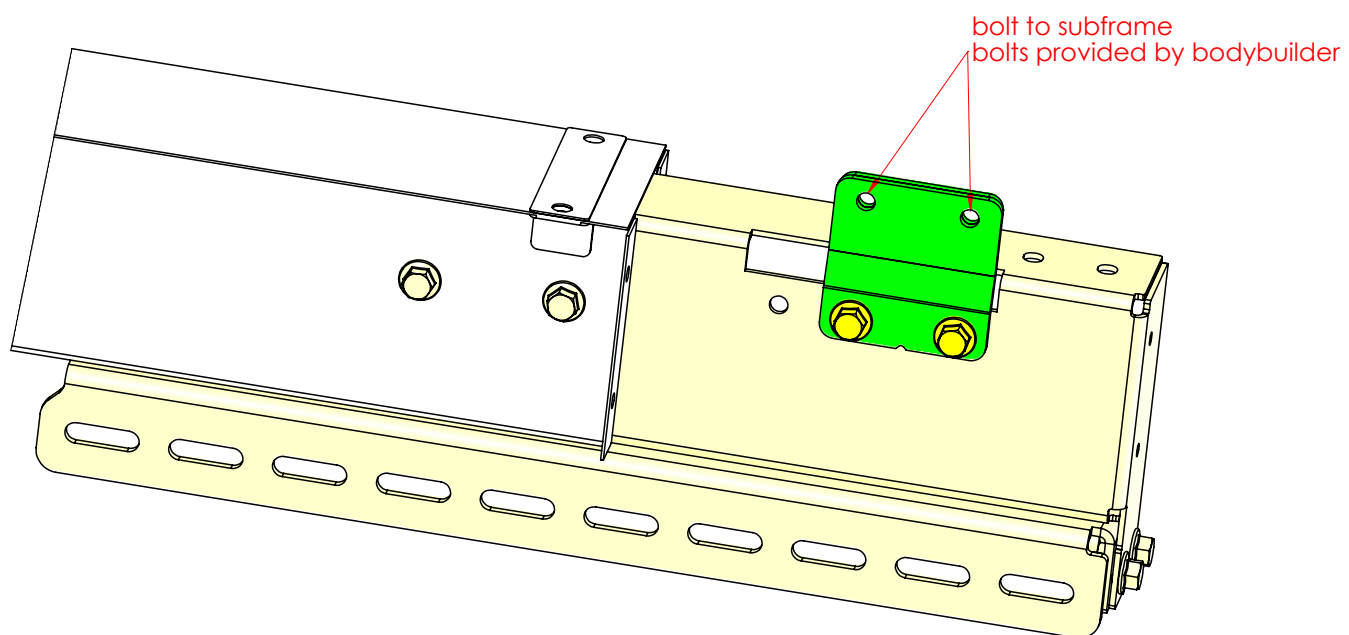
STEP 4



STEP 5

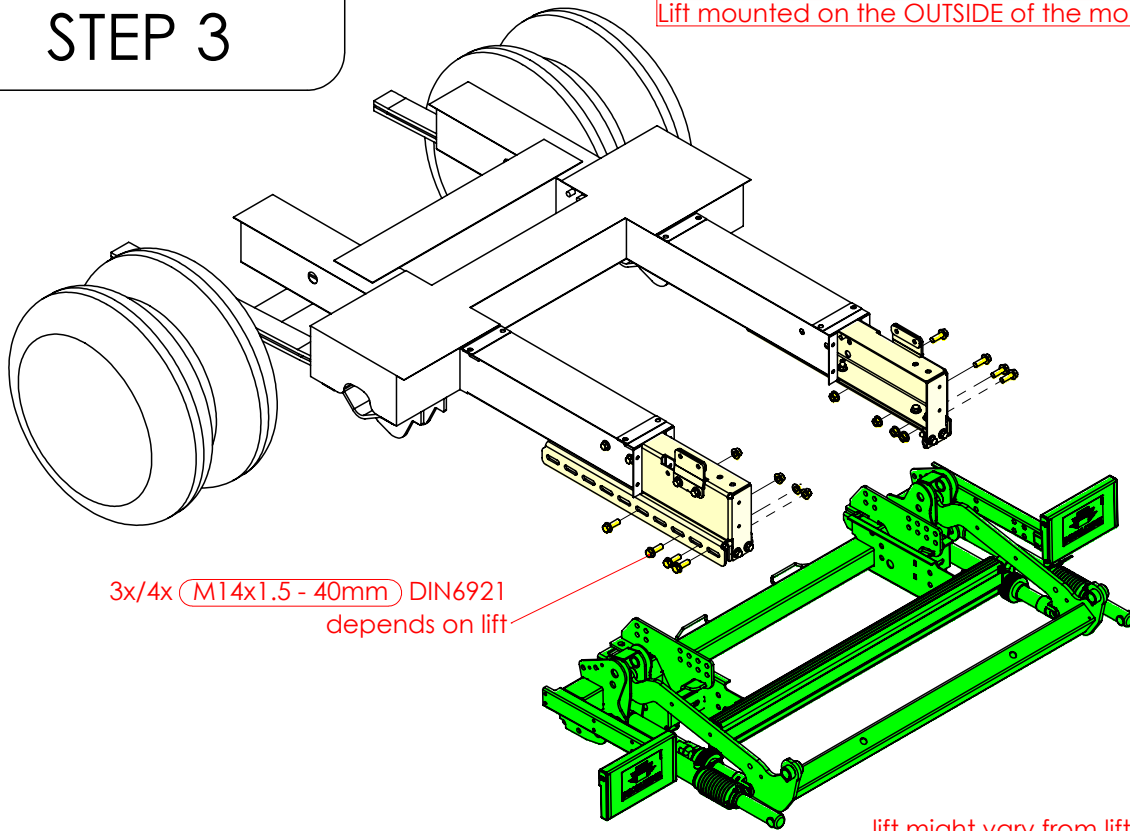


STEP 6



STEP 3

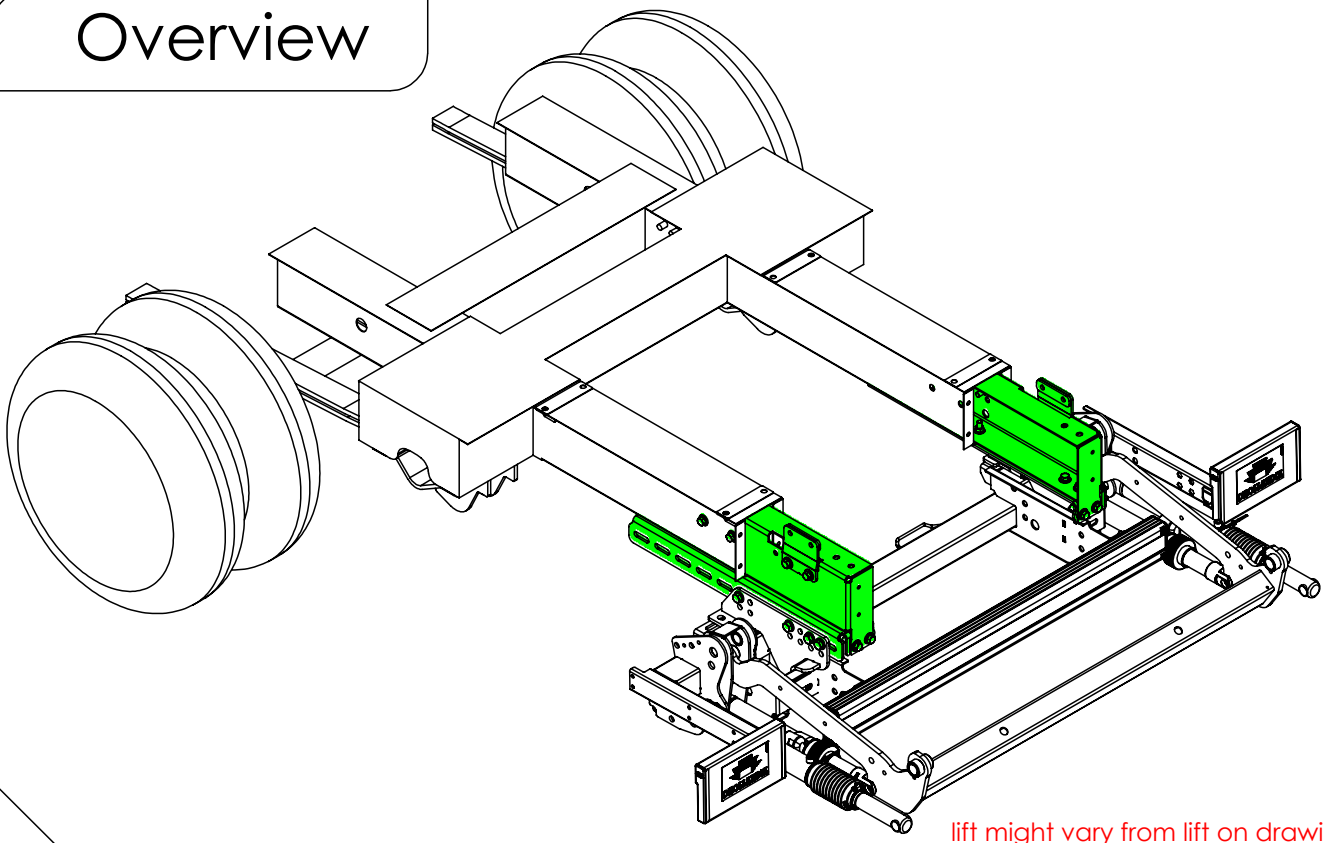
Lift mounted on the OUTSIDE of the mounting plates



3x/4x (M14x1.5 - 40mm) DIN6921
depends on lift

lift might vary from lift on drawing

Overview



lift might vary from lift on drawing

