

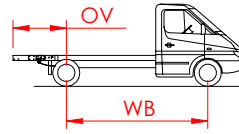
# MM.9.M29.B.S- Mounting instructions

## Mercedes Sprinter 4/5-Series

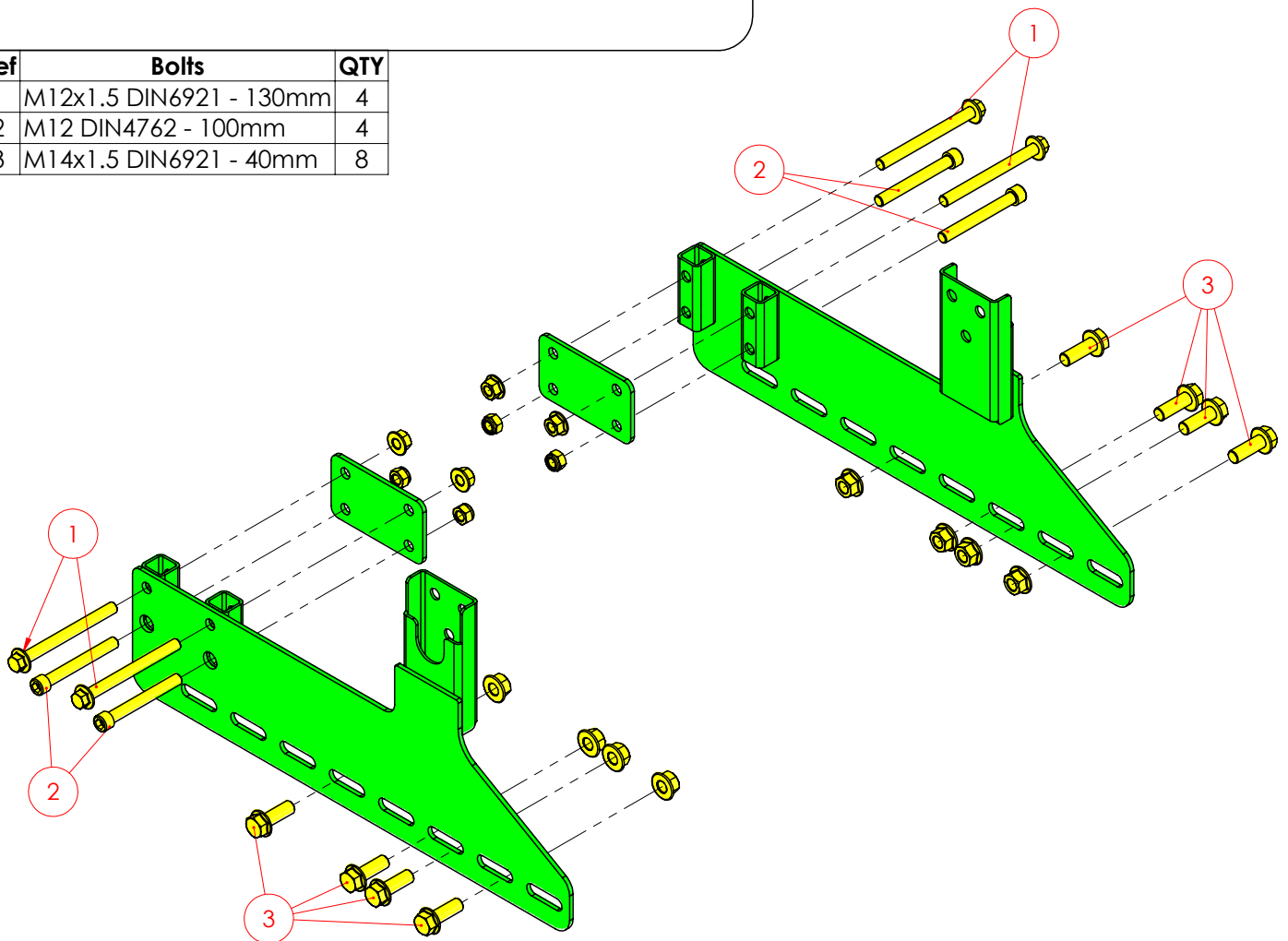
RWD | Double Wheel | WB=ALL | OV=ALL

## Volkswagen Crafter < 2017

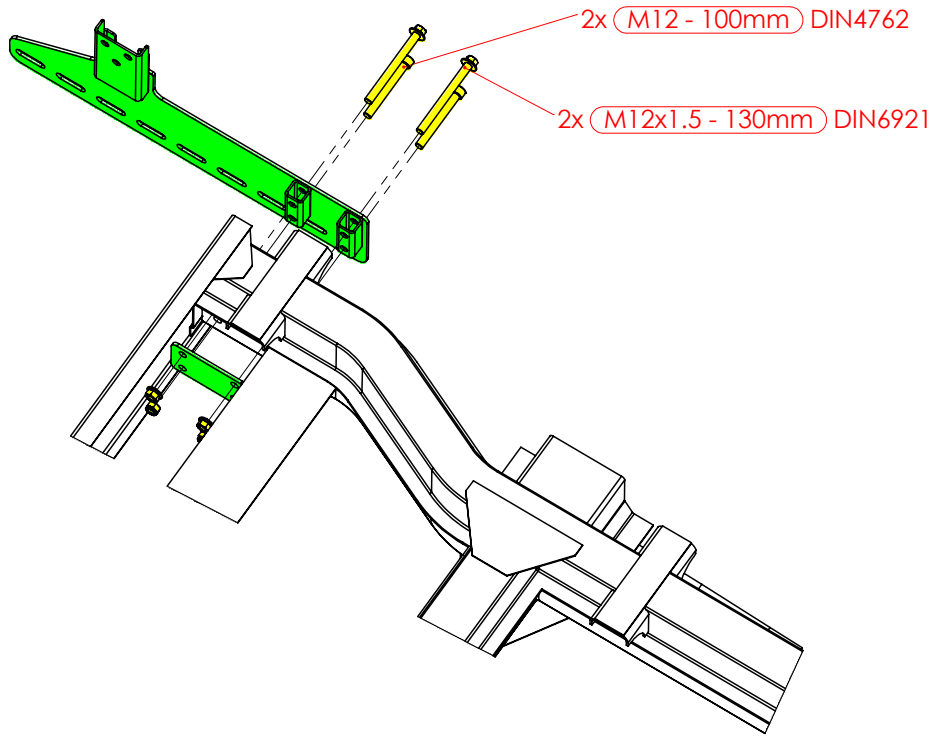
RWD | Double Wheel | WB=ALL | OV=ALL



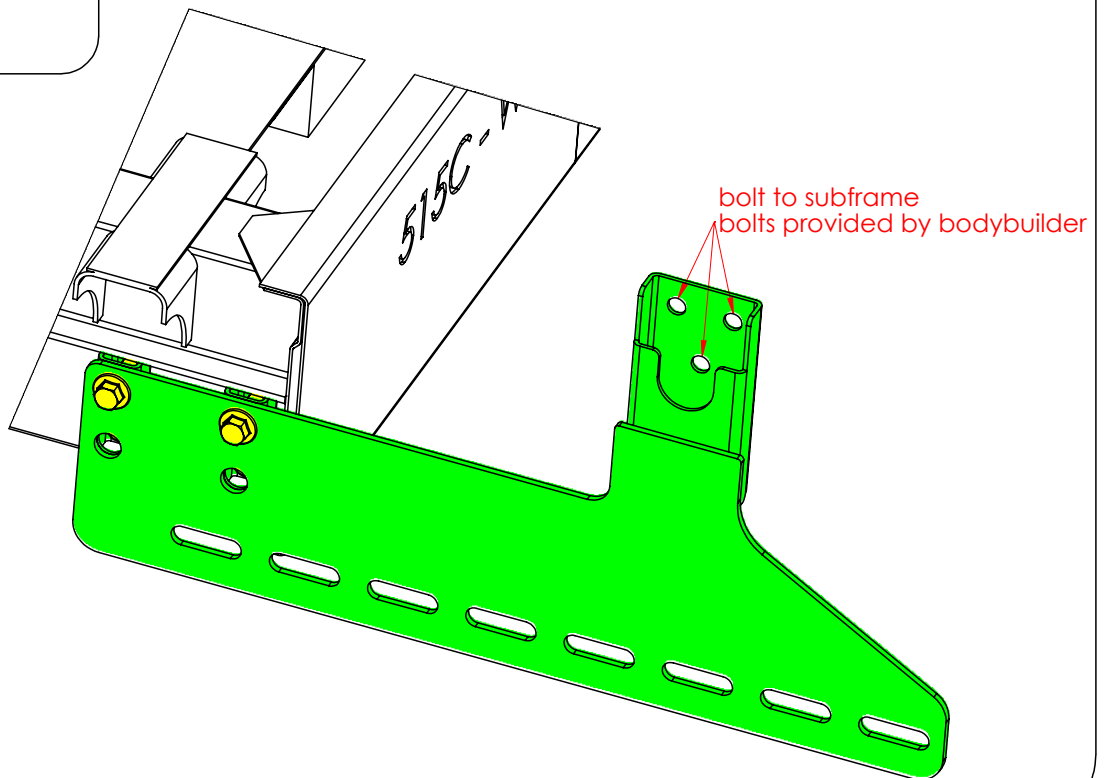
Ref	Bolts	QTY
1	M12x1.5 DIN6921 - 130mm	4
2	M12 DIN4762 - 100mm	4
3	M14x1.5 DIN6921 - 40mm	8



# STEP 1

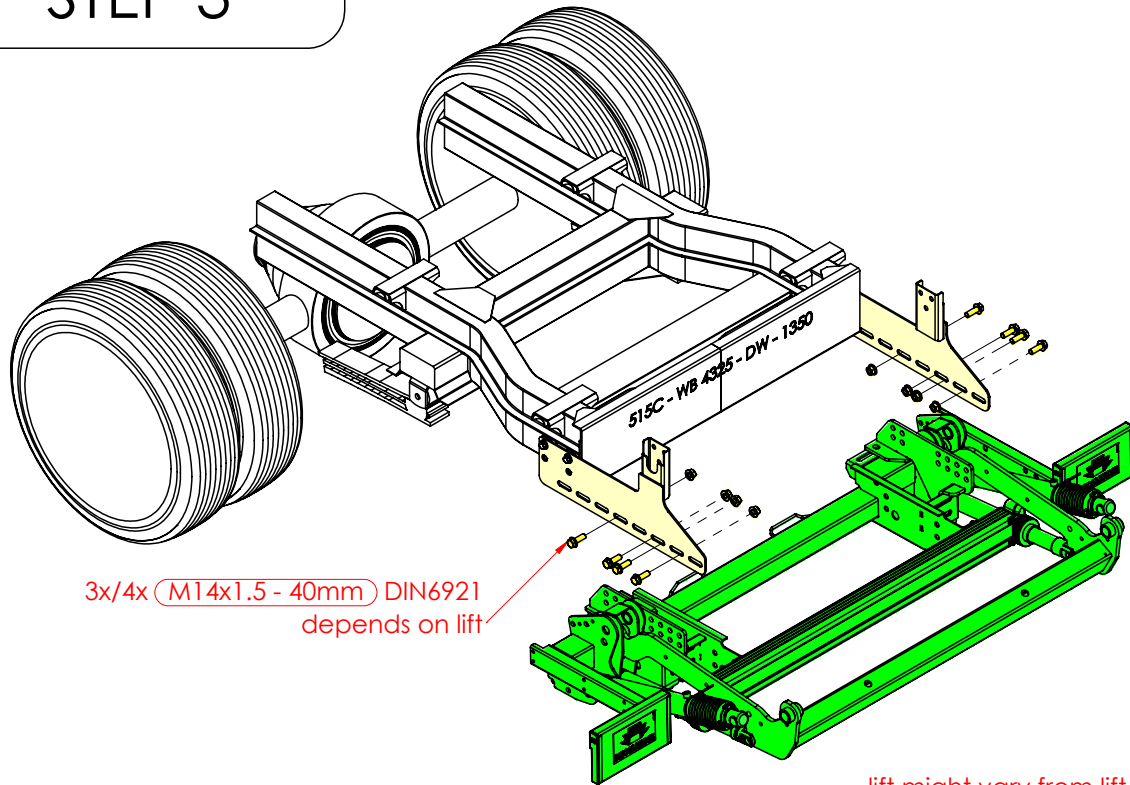


# STEP 2



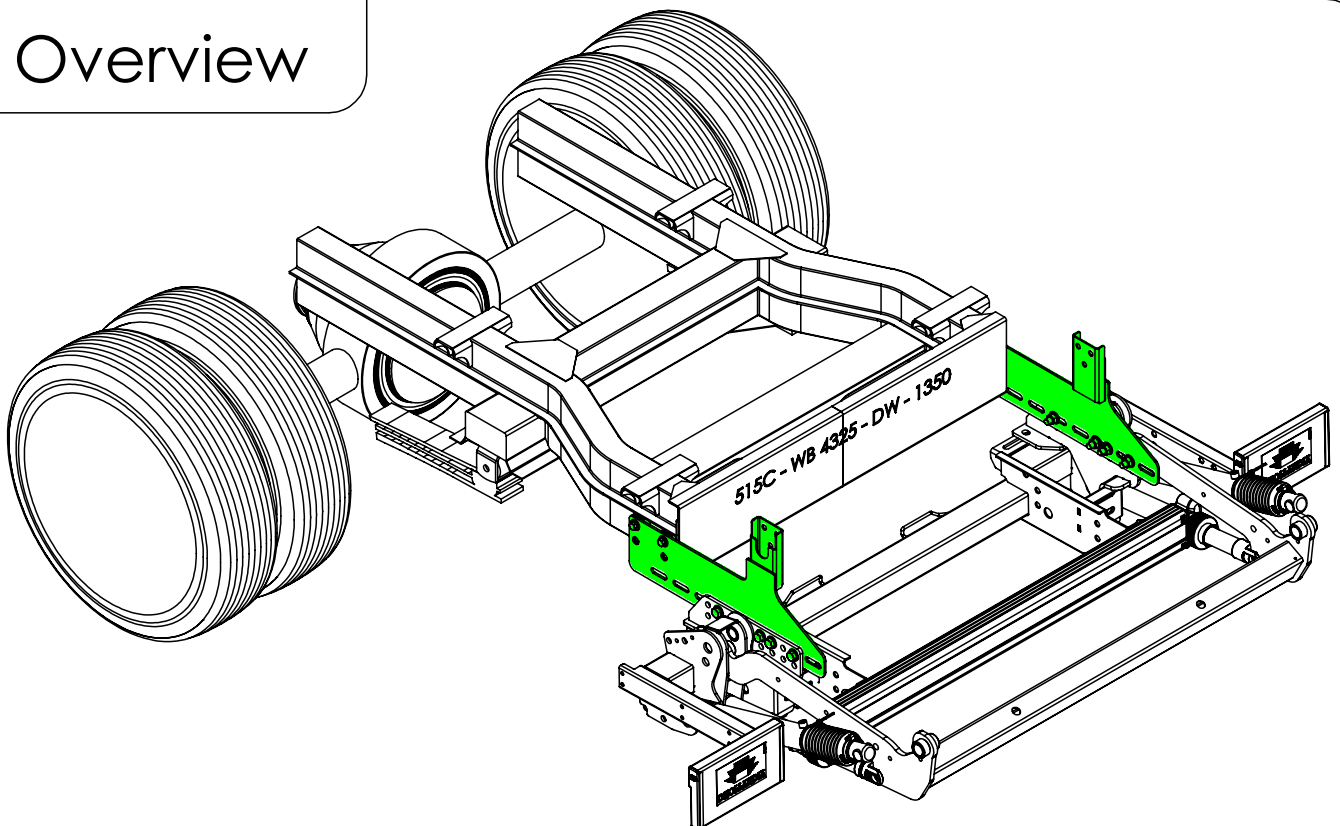
# STEP 3

Lift mounted on the OUTSIDE of the mounting plates



lift might vary from lift on drawing

# Overview



lift might vary from lift on drawing

