

MM.9.M28.C.S- Mounting instructions

Mercedes Sprinter >2018

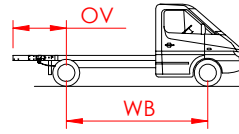
FWD | Single Wheel | WB=3258/3924mm | OV=ALL

Mercedes Sprinter 3-Series

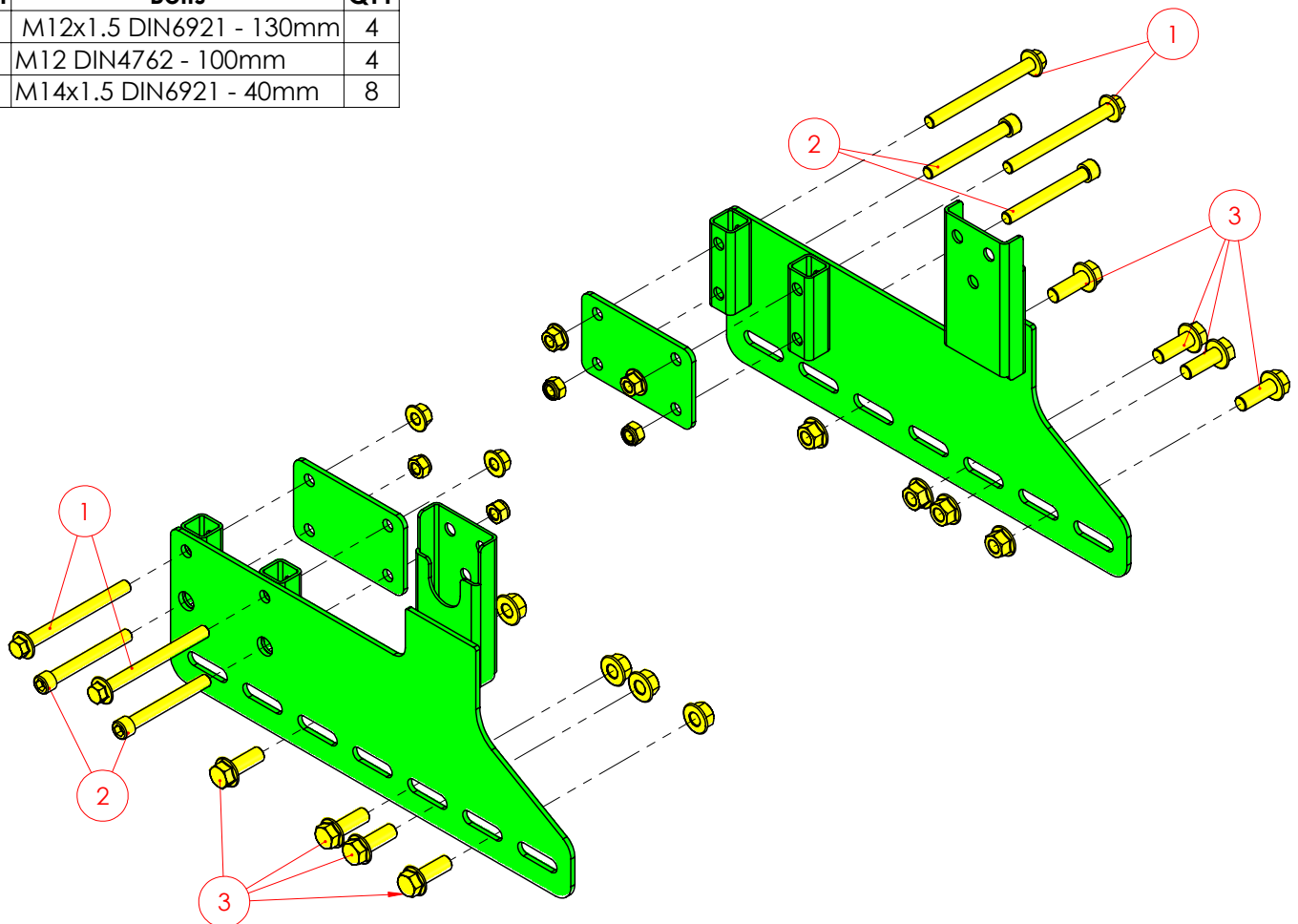
RWD | Single Wheel | WB=3250mm | OV=950mm

Volkswagen Crafter <2017

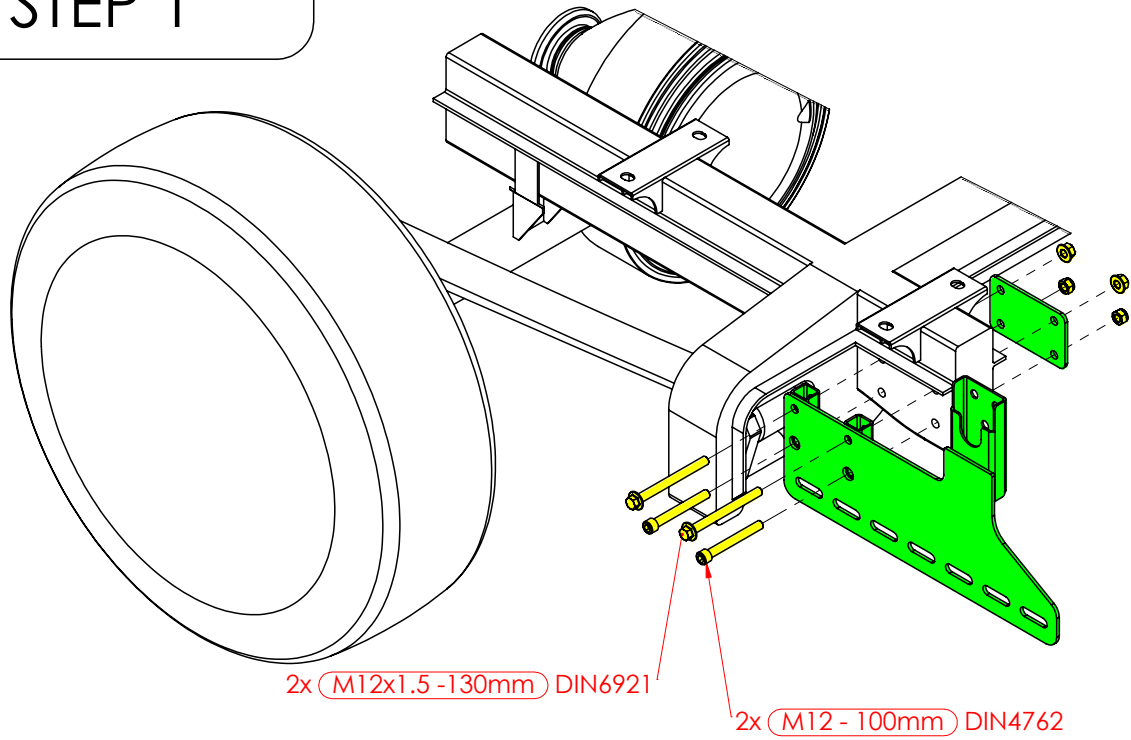
RWD | Single Wheel | WB=3250mm | OV=950mm



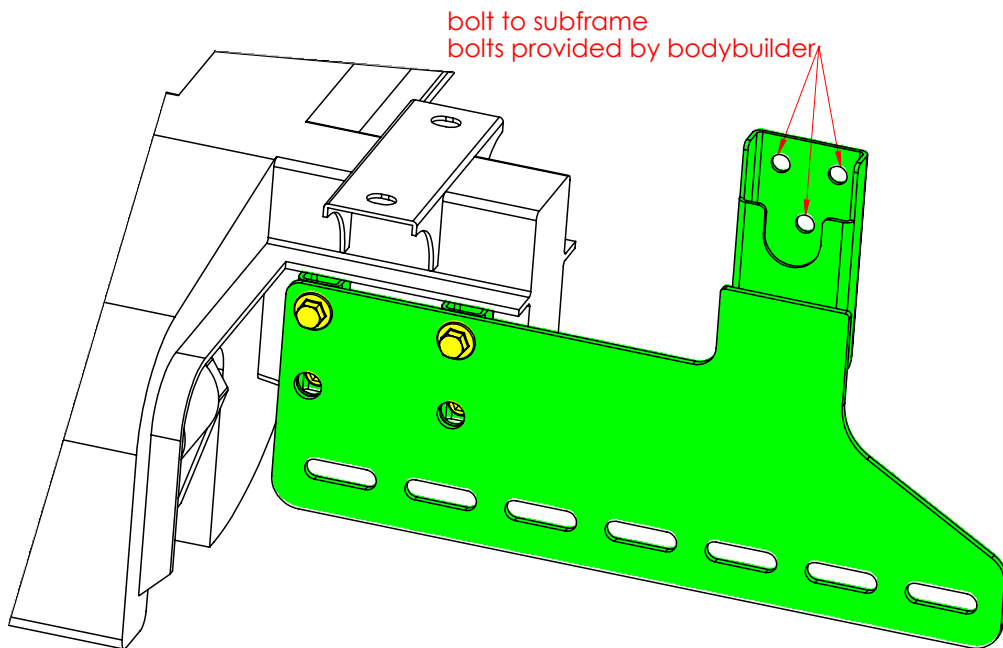
Ref	Bolts	QTY
1	M12x1.5 DIN6921 - 130mm	4
2	M12 DIN4762 - 100mm	4
3	M14x1.5 DIN6921 - 40mm	8



STEP 1

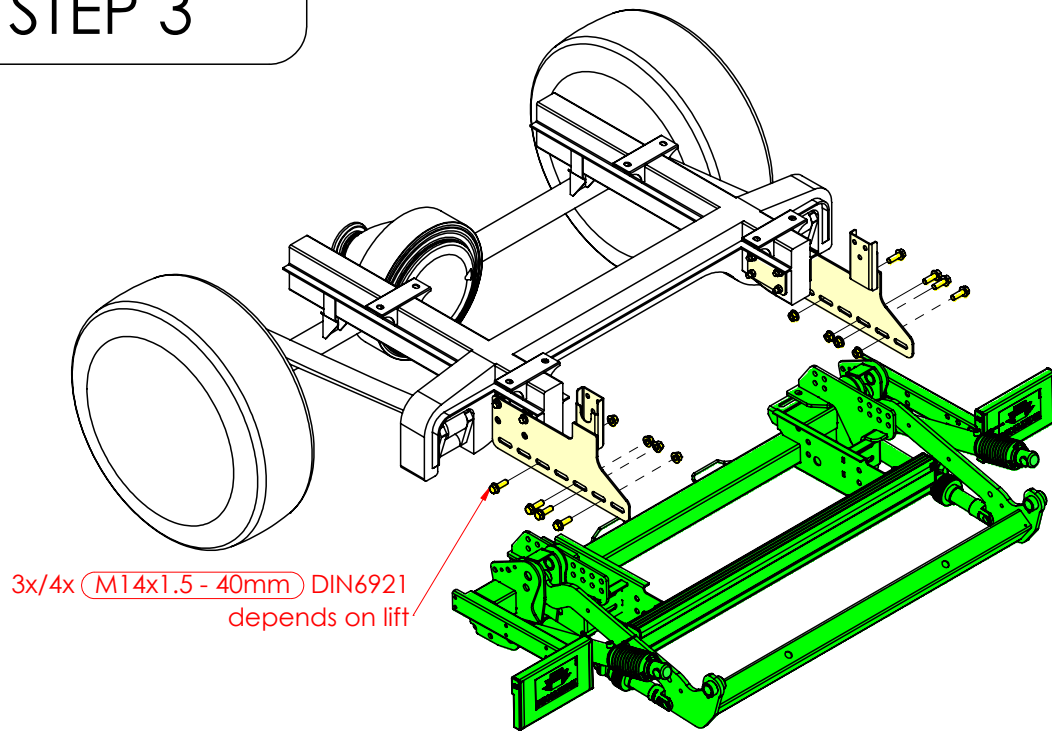


STEP 2



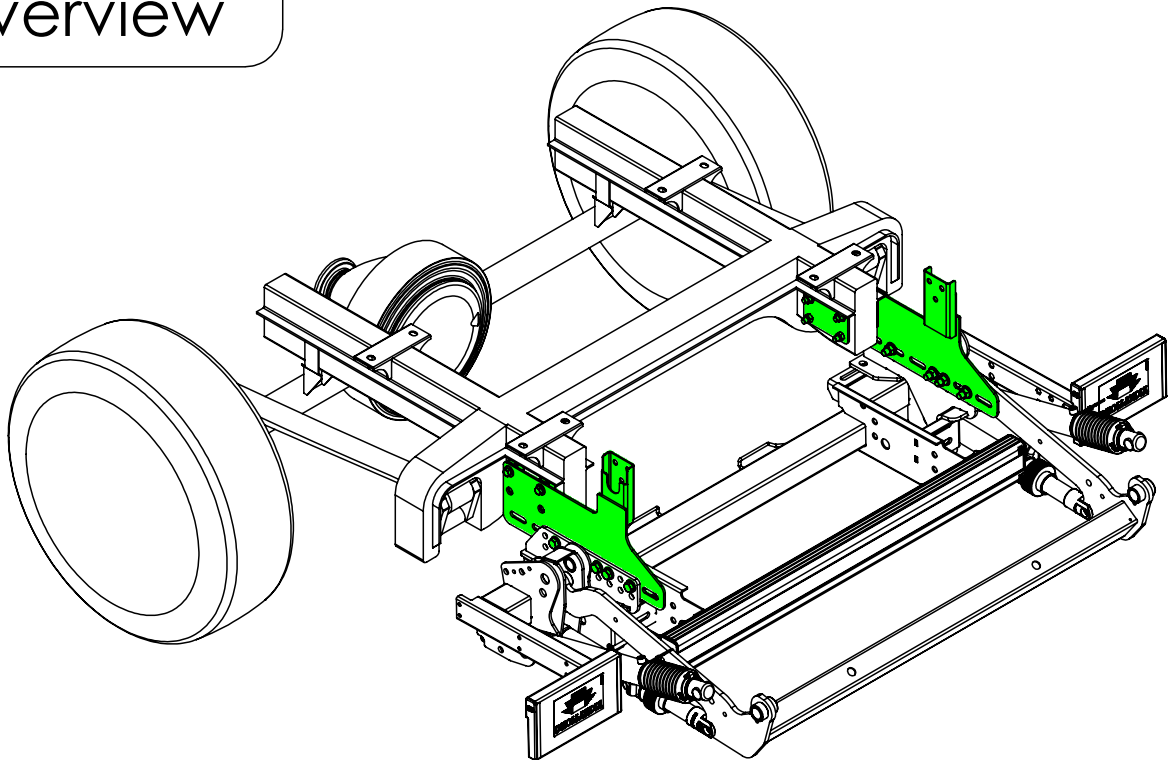
STEP 3

Lift mounted on the **OUTSIDE** of the mounting plates



lift might vary from lift on drawing

Overview



lift might vary from lift on drawing

