

# MM.9.M28.B.S- Mounting instructions

## Mercedes Sprinter 3-Series

RWD | Single Wheel | WB=3665mm | OV=1100mm

## Volkswagen Crafter <2017

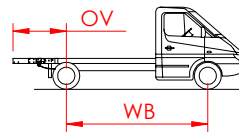
RWD | Single Wheel | WB=3665mm | OV=1100mm

## Mercedes Sprinter 3-Series

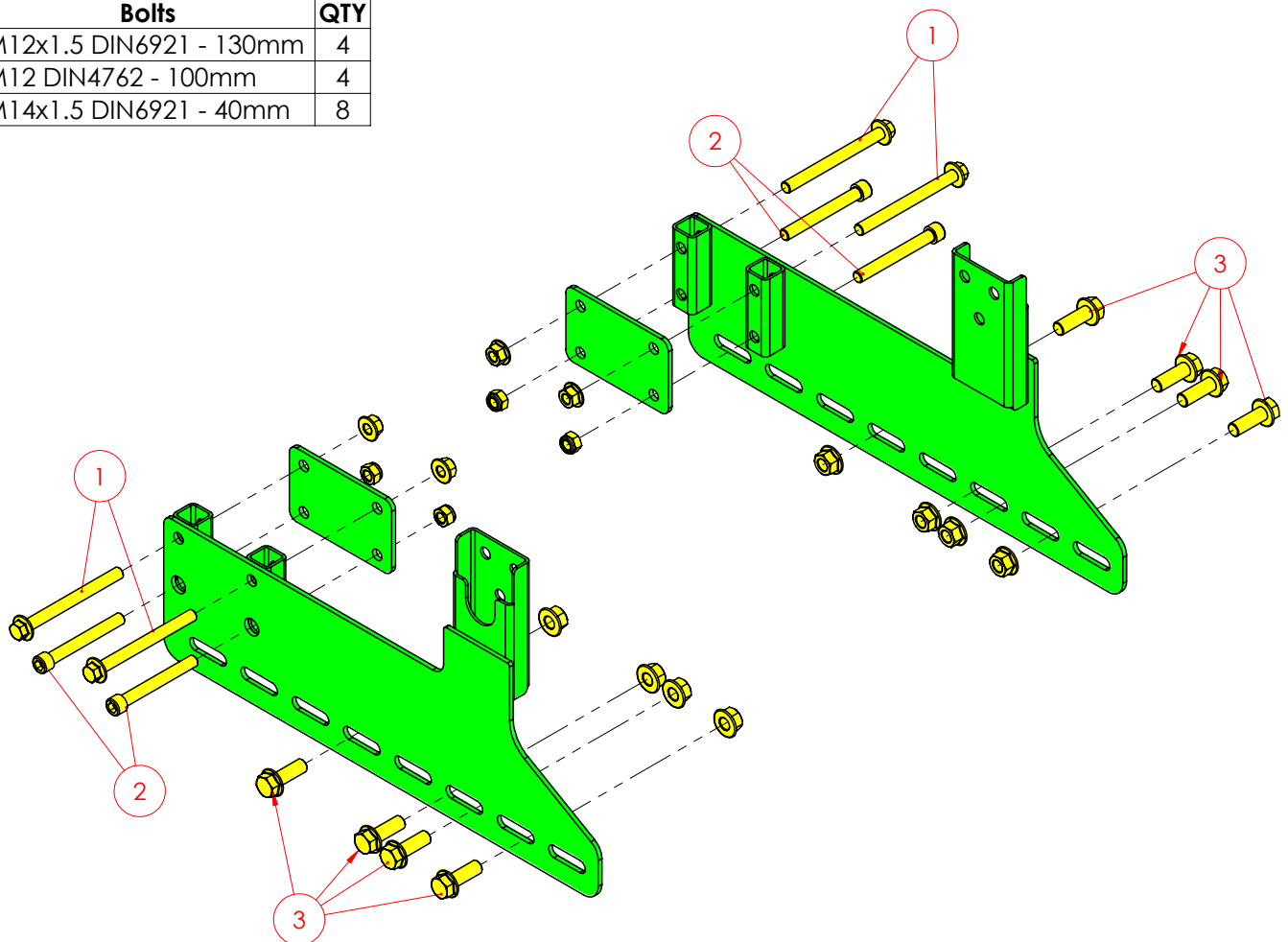
RWD | Single Wheel | WB=4325mm | OV=1250mm

## Volkswagen Crafter <2017

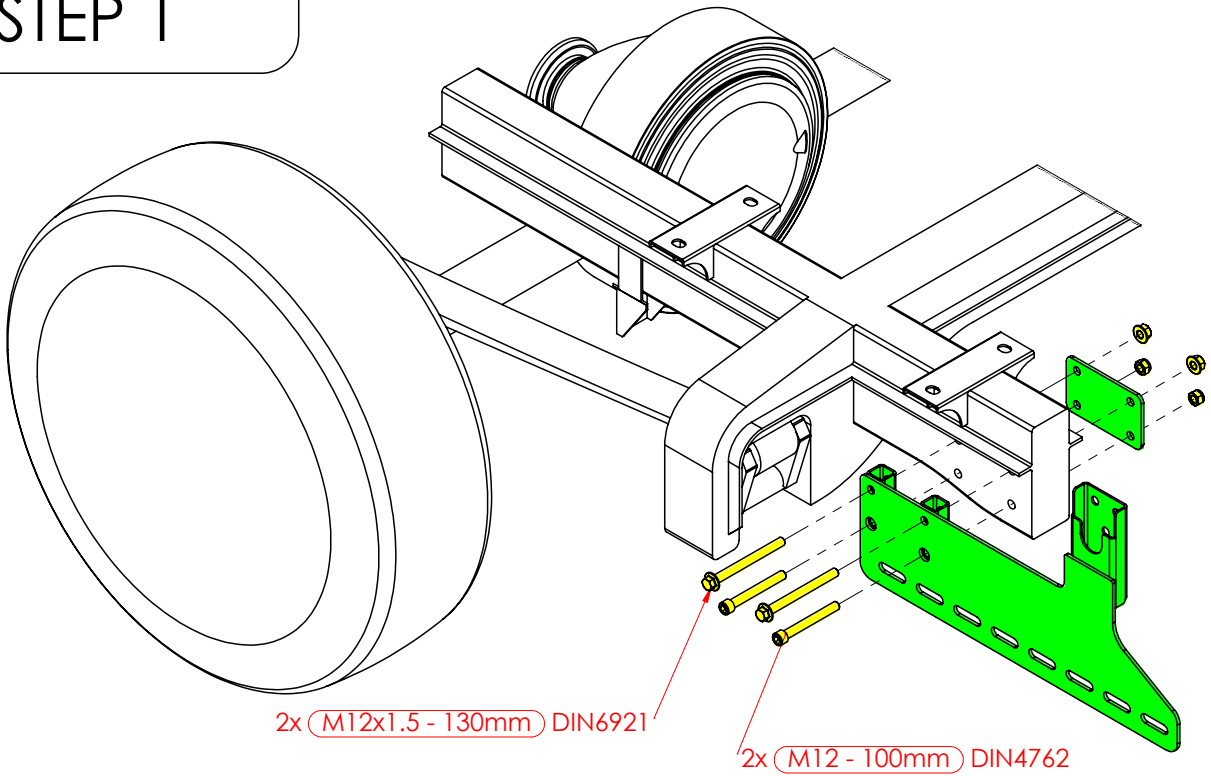
RWD | Single Wheel | WB=4325mm | OV=1250mm



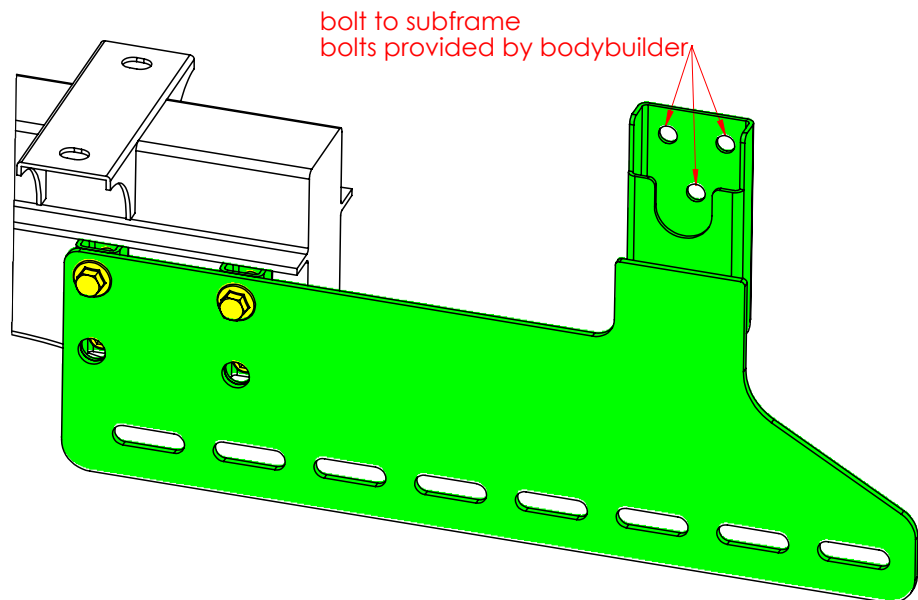
Ref	Bolts	QTY
1	M12x1.5 DIN6921 - 130mm	4
2	M12 DIN4762 - 100mm	4
3	M14x1.5 DIN6921 - 40mm	8



# STEP 1

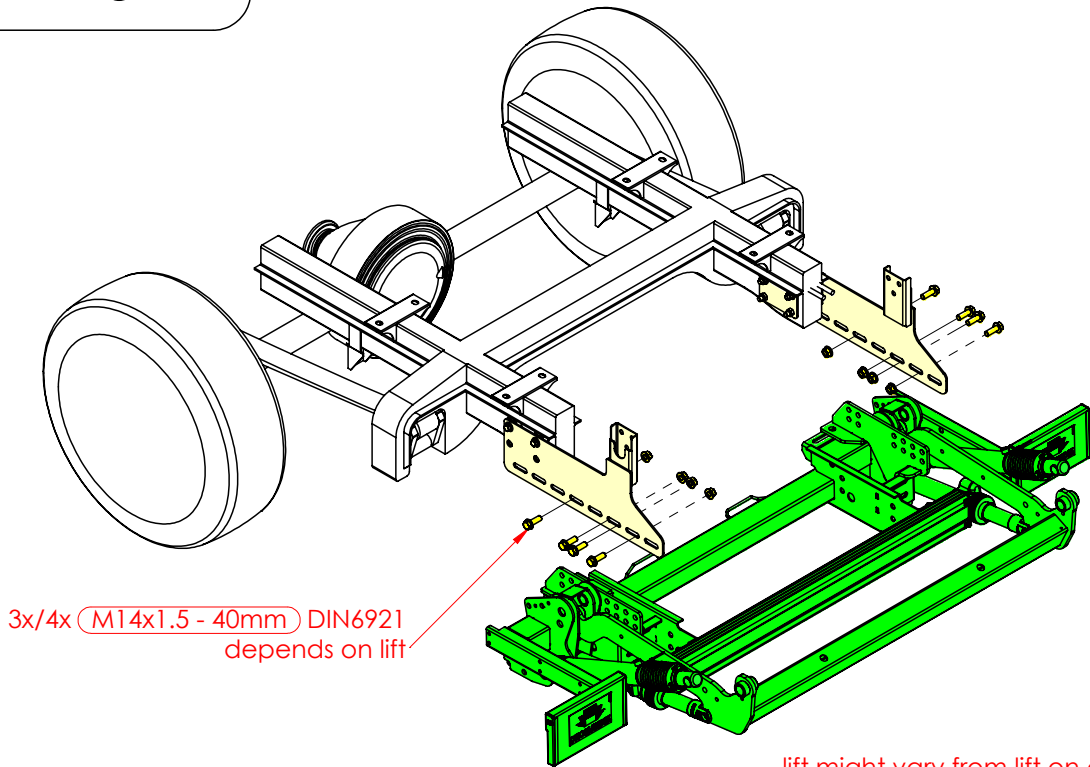


# STEP 2



# STEP 3

Lift mounted on the OUTSIDE of the mounting plates



# Overview

