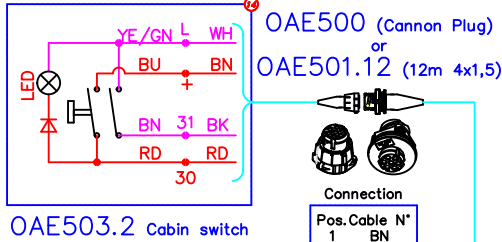
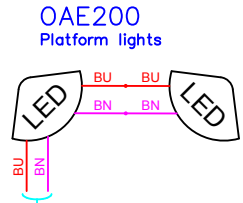
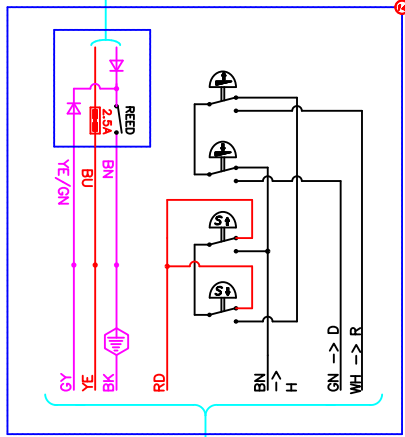


DH-LM ~ + OAE030.ZT + OAE064 + OAE065 + OAE200 + OAE500 / OAE501.le + OAE503.2 + OAH046 + NO OPEN



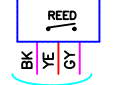
Connection

Pos. Cable N°	
1	BN
2	BN
3	BK
4	
5	
6	WH
7	RD



E0581.M.7.le

OAH046
E0614.11754.S



Connection

Pos. Cable N°	
1	WH -> R
2	BN -> H
3	GN -> D
4	RD -> +24/12V EC
5	BK -> - Earth
6	YE -> +24/12V (OAE200)
7	GY -> WH earth of OAE500

OAE065 Cannon plug

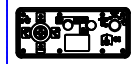
Connection

Pos. Cable N°	
1	WH
2	BN
3	GN
4	RD
5	BK -> - Earth
6	YE -> +24/12V
7	GY -> Relais 87a

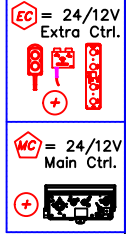
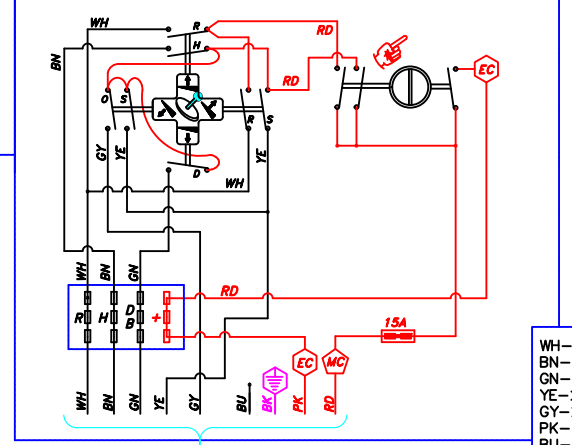
OAH046 Cannon plug

MECH - X

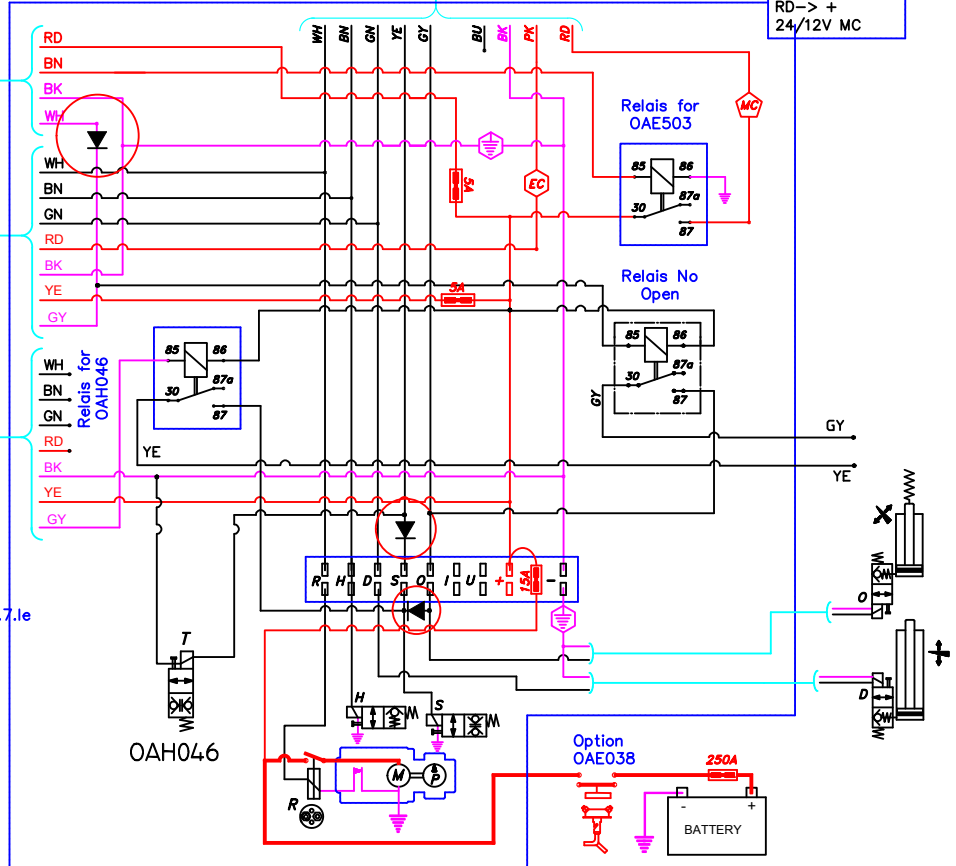
OAE030.ZT Exterior control EEZ103.T0.Cle09 / EEZ123.T0.Cle09



NO



WH -> R
BN -> H
GN -> D
YE -> S
GY -> O
BK -> + EC
BK -> - EARTH
RD -> +
RD -> +
24/12V MC



Type : DHLM ~ OAH046 dual speed lift + OAE500 VEHH plug - NO OPEN
 Power pack :
 Valve : V181.X
 Plan N° : wd_LM-MECH.X-OAE030.ZT-OAH046 NO OPEN
 Date : 16.06.2023

