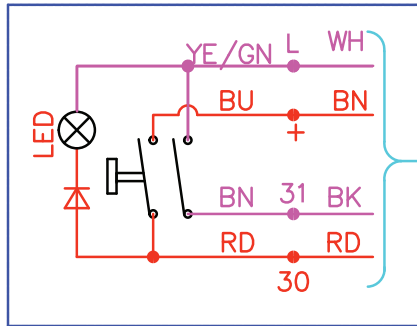
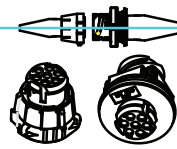


OAE503.2 Cabin switch



OAE500.F.12

OAE500 (Cannon Plug)



Connection

Pos.	Cable	N°
1	BN	
2	BK	
3		
4		
5		
6	WH	
7	RD	

>YELLOW +24/12V(OAE200)LED Plattform
 >GREY earth of OAE500 Ueberwachung



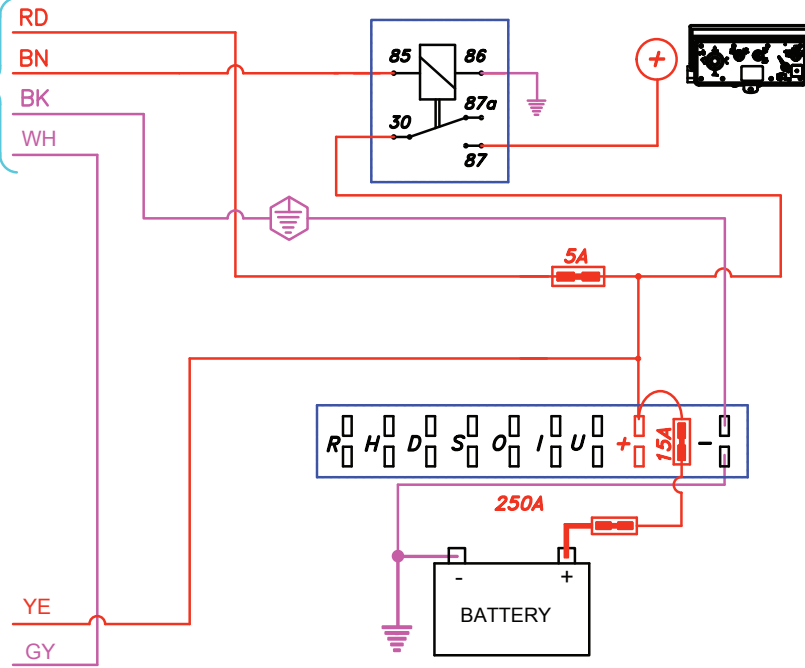
OAE503.2



OAE500.F.12

Relais for OAE503 (E0057.A2.12/24.S)

MC = 24/12V Main Control



Colour codes DIN 47100

- 1=WH (weiss)
- 2=BN (braun)
- 3=GN (grün)
- 4=YE (gelb)
- 5=GY (grau)
- 6=PK (pink)
- 7=BU (blau)