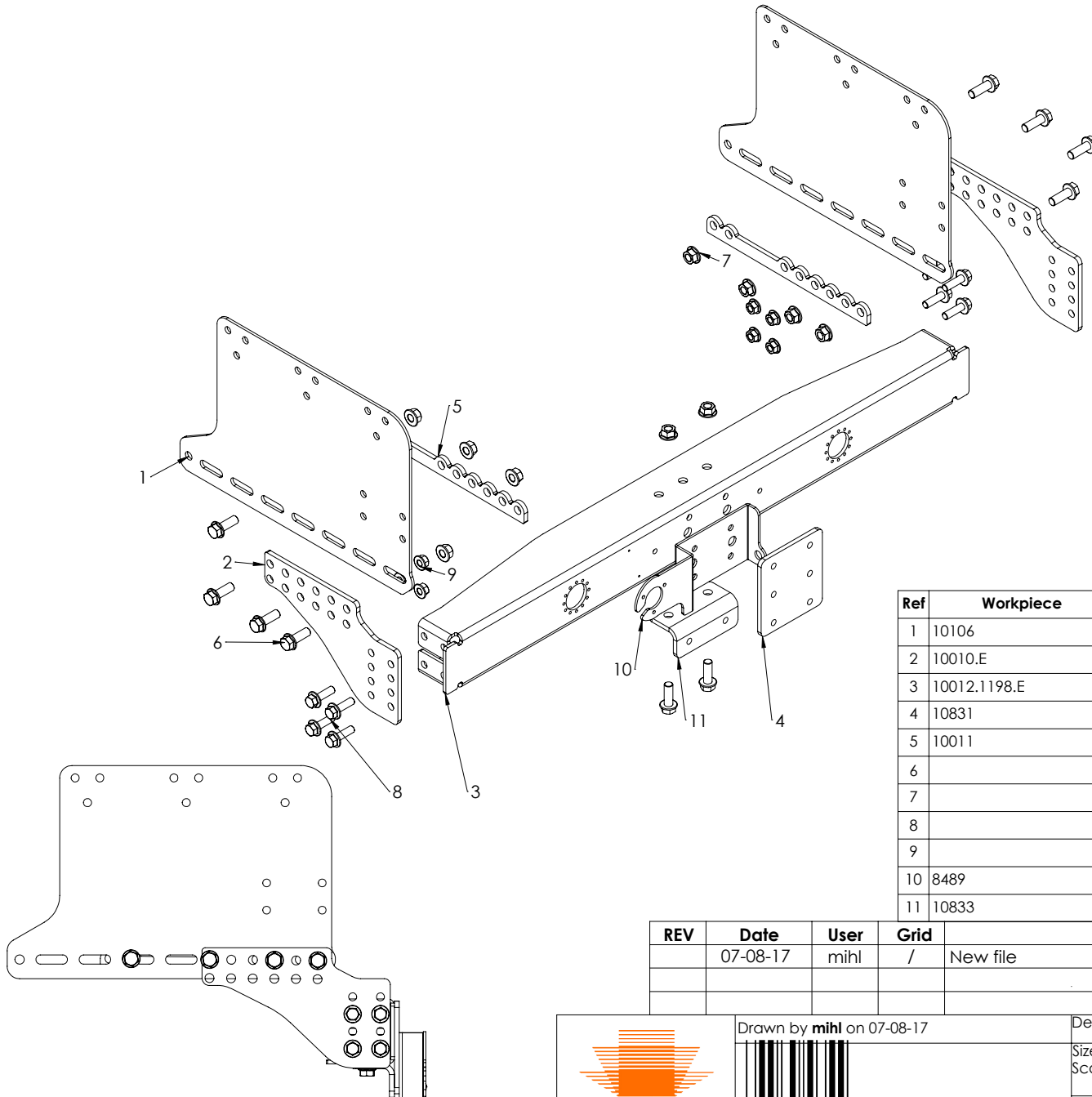


# TWH0022.SK



Ref	Workpiece	Purch. Art.	Rev.	Description	QTY
1	10106			Mounting plate towing hook LM.08	2
2	10010.E		B.01	Plaat bumper trekhaak lm.08	2
3	10012.1198.E		B.01	Towing hook LM.08.01	1
4	10831			bumper plate towing hook lm.08	1
5	10011		D.01	mounting plate towing hook LM.08.01	2
6		BT14.040.6921	B.01	Bolt M14x40 DIN6921	10
7		BMB14.6923	C.01	Locking nut M14 DIN6923	10
8		BT12.040.6921	REV-02B	Bolt M12x40 DIN6921	8
9		BMB12.6923	B.03	Locking nut M12 DIN6923	8
10	8489		B.01	plate plug tow hook	1
11	10833		A.01	LM08.01 AHK Adapter Kugelkuppung Winkel 1.0	1

REV	Date	User	Grid	Description
	07-08-17	mihl	/	New file



Drawn by **mihl** on 07-08-17



Description:

Size: **A4** Sales Article:  
Scale: **1:20**

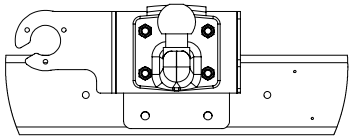
Rev.:

Workpiece: **TWH0022.SK**

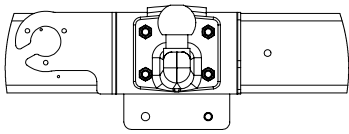
Purchased Article:

# TWH0022.SK

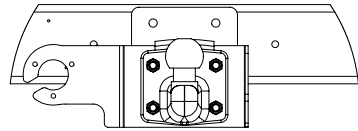
HIGH HOOK POSITION



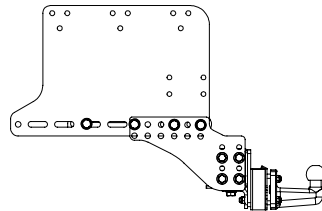
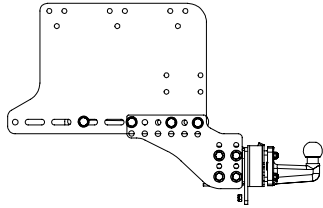
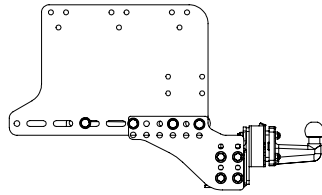
MIDDLE HOOK POSITION



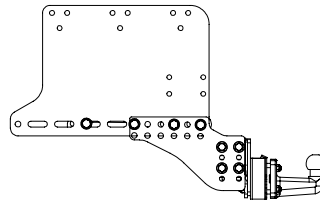
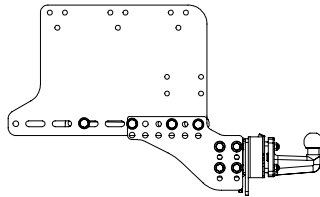
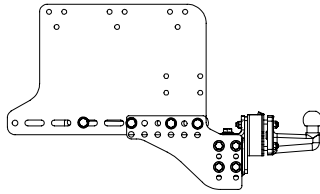
LOW HOOK POSITION



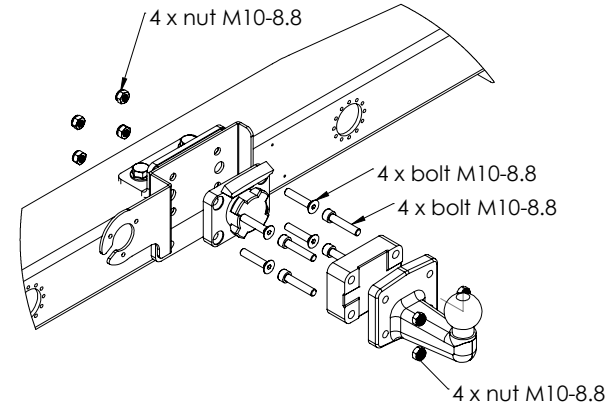
LOW POSITION - MOUNTING PLATE



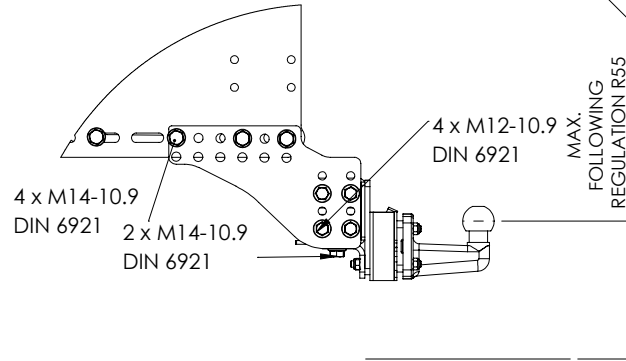
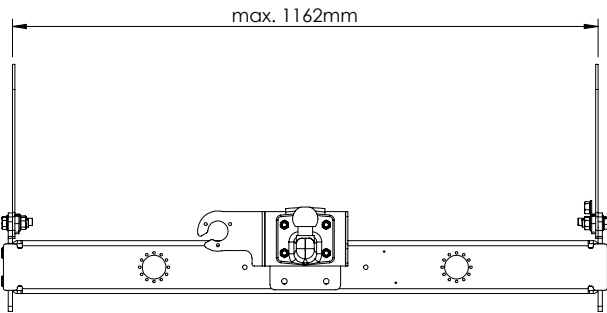
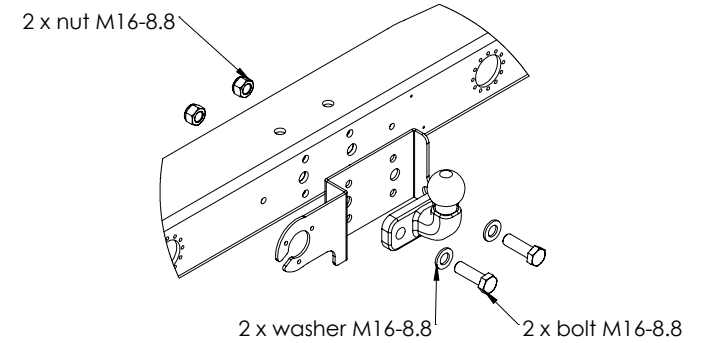
HIGH POSITION - MOUNTING PLATE



**A50-2, A50-4, A50-X, C50-1, C50-2, C50-X, S**



**A50-1, A50-X, C50-X, S**



REV	Date	User	Grid	Description
	07-08-17	mihl	/	New file



Drawn by **mihl** on 07-08-17



Description:

Size: **A4** Sales Article:  
Scale: **1:2**

Rev.:

Workpiece: **657244**

Purchased Article: